

Springloaded Back-Pressure Regulator

Model – BBF15S

Description

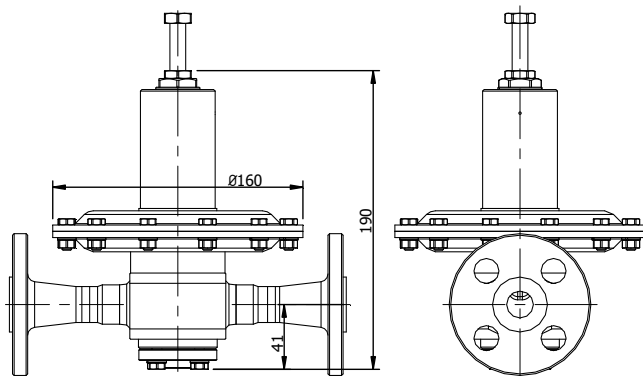
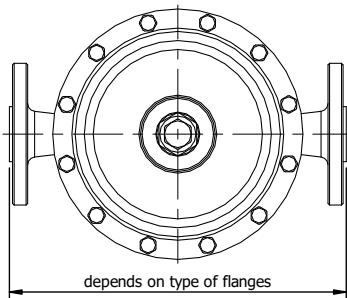
The BBF15S springloaded back-pressure regulator controls the supply pressure on the inlet side. When the supply pressure rises above the set pressure, the fluid starts flowing to the outlet side.

Specifications

Inlet pressure	16 bar max.
Adjustable	0-800 mbar - 3 pressure ranges
Connections	DN15 or DN20 flanges according EN 1092-1 or 1/2" or 3/4" flanges according ASME B16.5
Seat diameter	13 mm
Cv / Kv	Cv 3.5 / Kv 3.0

Fluids

This pressure regulator is suitable for gases.



Materials

The regulator is made out of barstock stainless steel material.

Body	ss 316L
Springhousing	ss 316L
Valve	ss 316L
Seat	NBR, FKM or EPDM
Setspring	ss 302
O-rings / diaphragm	NBR, FKM or EPDM

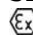
Other materials available on request.

All metal parts are marked with a traceable batch number. Material certificates are available on request.

Technical details

- all parts cleaned and degreased
- leak-tight seat design
- all regulators tested before delivery

Standards

- EN 12516 - design
- EN 12266-1 - testing
- PED 2014/68/EU - SEP (article 4, paragraph 3)
- ATEX 2014/34/EU -  II 2G

Springloaded Back-Pressure Regulator

Model – BBF15S

Connections

The regulator is designed for flanged connections. The flanges are welded to the regulator with butt-welds.

Model - flange size

BBF15S DN15 or 1/2"
BBF15F20S DN20 or 3/4"

EN 1092-1 - flanges - design pressure

DN15 - DN20 PN40 16 bar

ASME B16.5 - flanges - design pressure

1/2 - 3/4" 150# 16 bar

Other connections are available on request.

Design pressures

The regulator has a design pressure of 16 bar for the inlet side and outlet side.

Depending on temperature or special wishes, the design pressure on the regulator could be different.

Temperature

The general temperature range of the regulator is -50 / 200 °C, but could be limited due to the used sealing materials.

NBR seals -35 / 130 °C
FKM seals -20 / 200 °C
EPDM seals -50 / 120 °C

Other sealing materials on request.

Adjusting the regulator

The regulator comes standard with a setscrew. Optional a locking cap can be supplied.

Lowest controlled pressure

The lowest dynamic set pressure at low flow for the BBF15S is around 10-15 mbar.

Note that the regulator needs around 10 mbar pressure-decrease to be fully closed.

Options

Dutch Regulators supplies the regulators to your needs. When you have the need for special features or options, Dutch Regulators is the right address.

Spare parts

Spare parts kits are available for the regulator. Mention the serial number in case you need spare parts for existing regulators.

Typenumber explanation

Example : BBF15S – 16D200 – SSNN

model	design pressure	connections	adjustable	material	seat	seals	options
BBF15S	16 : 16 bar	D : DIN	50 : 0-50 mbar	SS SS 316L	N NBR	N NBR	L locking cap
BBF15F20S		EN 1092-1	200 : 0-200 mbar		nitrite	nitrite	
		A : ASME	800 : 0-800 mbar		V FKM	V FKM	
		ASME B16.5			viton	viton	xx codes for special option
					E EPDM	E EPDM	

All regulators are marked with a typenumber, a drawingnumber and a unique serialnumber. Dutch Regulators stores the exact configuration of the regulator in the serialnumber.