

Springloaded Back-Pressure Regulator

Model – BBT20S

Description

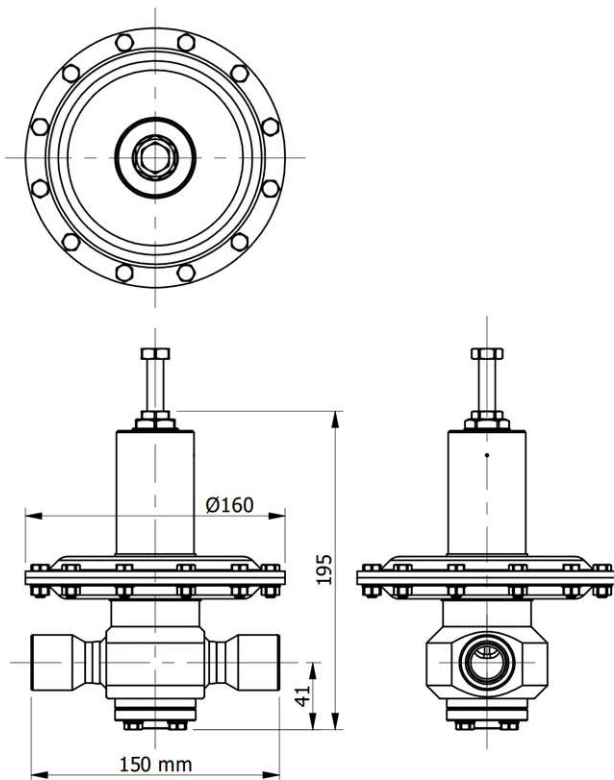
The BBT20S springloaded back-pressure regulator controls the supply pressure on the inlet side. When the supply pressure rises above the set pressure, the fluid starts flowing to the outlet side.

Specifications

Inlet pressure	16 bar max.
Adjustable	0-800 mbar - 3 pressure ranges
Connections	3/4" NPT
Seat diameter	13 mm
Cv / Kv	Cv 3.5 / Kv 3.0

Fluids

This pressure regulator is suitable for gases.



Materials

The regulator is made out of barstock stainless steel material.


Body	ss 316L
Springhousing	ss 316L
Valve	ss 316L
Seat	NBR, FKM or EPDM
Setspring	ss 302
O-rings / diaphragm	NBR, FKM or EPDM

All metal parts are marked with a traceable batch number. Material certificates are available on request.

Technical details

- all parts cleaned and degreased
- leak-tight seat design
- all regulators tested before delivery

Standards

- | | |
|-------------------|---|
| • EN 12516 | - design |
| • EN 12266-1 | - testing |
| • PED 2014/68/EU | - SEP (article 4, paragraph 3) |
| • ATEX 2014/34/EU | -  II 2G |

Springloaded Back-Pressure Regulator

Model – BBT20S

Connections

The regulator has threaded connections, designed for compression fittings.

Line connections

NPT threads according to ANSI B1.20.1

Options

When you have the request for special features or options, please contact Dutch Regulators.

Design pressures

The regulator has a design pressure of 16 bar and applies for the inlet side and outlet side.

Temperature

The general temperature range of the regulator is -50 / 200 °C, but could be limited due to the used sealing materials.

NBR seals	-35 / 130 °C
FKM seals	-20 / 200 °C
EPDM seals	-50 / 120 °C

Other sealing materials on request.

Adjusting the regulator

The regulator comes standard with a setscrew. Optional a locking cap can be supplied.

Spare parts

Spare parts kits are available for the regulator. Mention the serial number in case you need spare parts for existing regulators.

Lowest controlled pressure

The lowest dynamic set pressure at low flow for the BBT20S is around 10-15 mbar.

Note that the regulator needs around 10 mbar pressure-decrease to be fully closed.

Typenumber explanation

Example : BBT20S – 16N800 – SSNN – L

model	design pressure	connections	adjustable	material	seat	seals	options		
BBT20S	16 : 16 bar	D : 3/4" NPT	50 : 0-50 mbar	SS SS 316L	N NBR	N NBR	L locking cap		
			200 : 0-200 mbar					nitrite	nitrite
			800 : 0-800 mbar					V FKM	V FKM
					viton	viton	xx codes for		
					E EPDM	E EPDM	special option		